

# U, G, A & M SYSTEM

IMPORT COUPLERS INCLUDING U.S. THREAD ADAPTERS

PART NO.	DESCRIPTION	SYSTEM	PROBE MATERIAL
G408	Guinness / Harp	U	304 SS
GTL425	Boddingtons	G	304 SS
DH1501	Warsteiner / Spaten / Paulaner	A	304 SS
M1500	Veltins / Schneider / Aventinus	M	304 SS



U SYSTEM



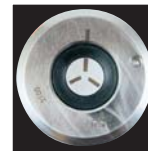
G408



G SYSTEM



GTL425



A SYSTEM



DH1501



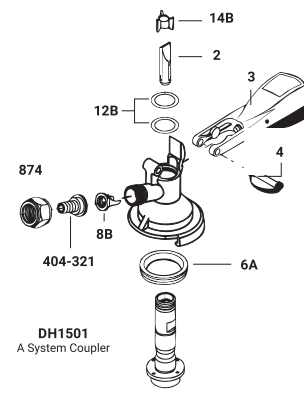
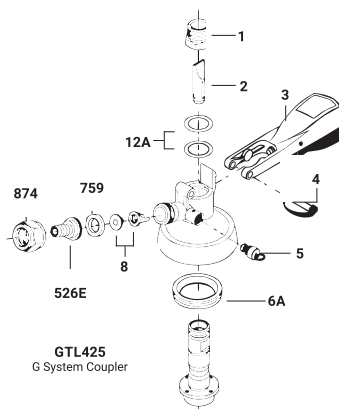
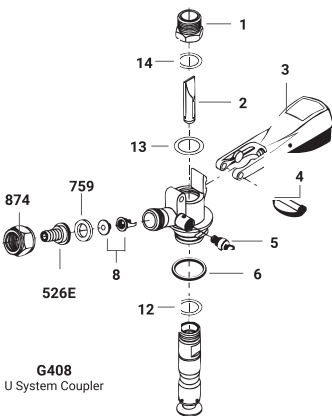
M SYSTEM



M1500

## REPLACEMENT PARTS

ITEM	PART NO.	DESCRIPTION
1	B409	Thread adapter
2	703-121	Non-return valve
3	762-101-F001	F-1 handle assembly
4	112-480	Hinge pin with black strap
5	733-040	Pressure relief valve assembly
6	102-906	U system main gasket
6A	102-539	G & A System main gasket
8	401-038	Non-return valve with insert
8B	102-530	Check valve
12	102-911	U System probe o-ring
12A	102-566	G System probe o-rings (two required)
12B	102-542	A System probe o-rings (two required)
13	102-526	U System body o-ring
14	733-304	Check valve retainer
14B	102-524	Check valve retainer



## TWIN PROBE REPLACEMENT PARTS

PART NO.	DESCRIPTION
TC202-8	Check valve
PART NO.	DESCRIPTION
1776-8	Figure 8 washer



TC202-8



1776-8